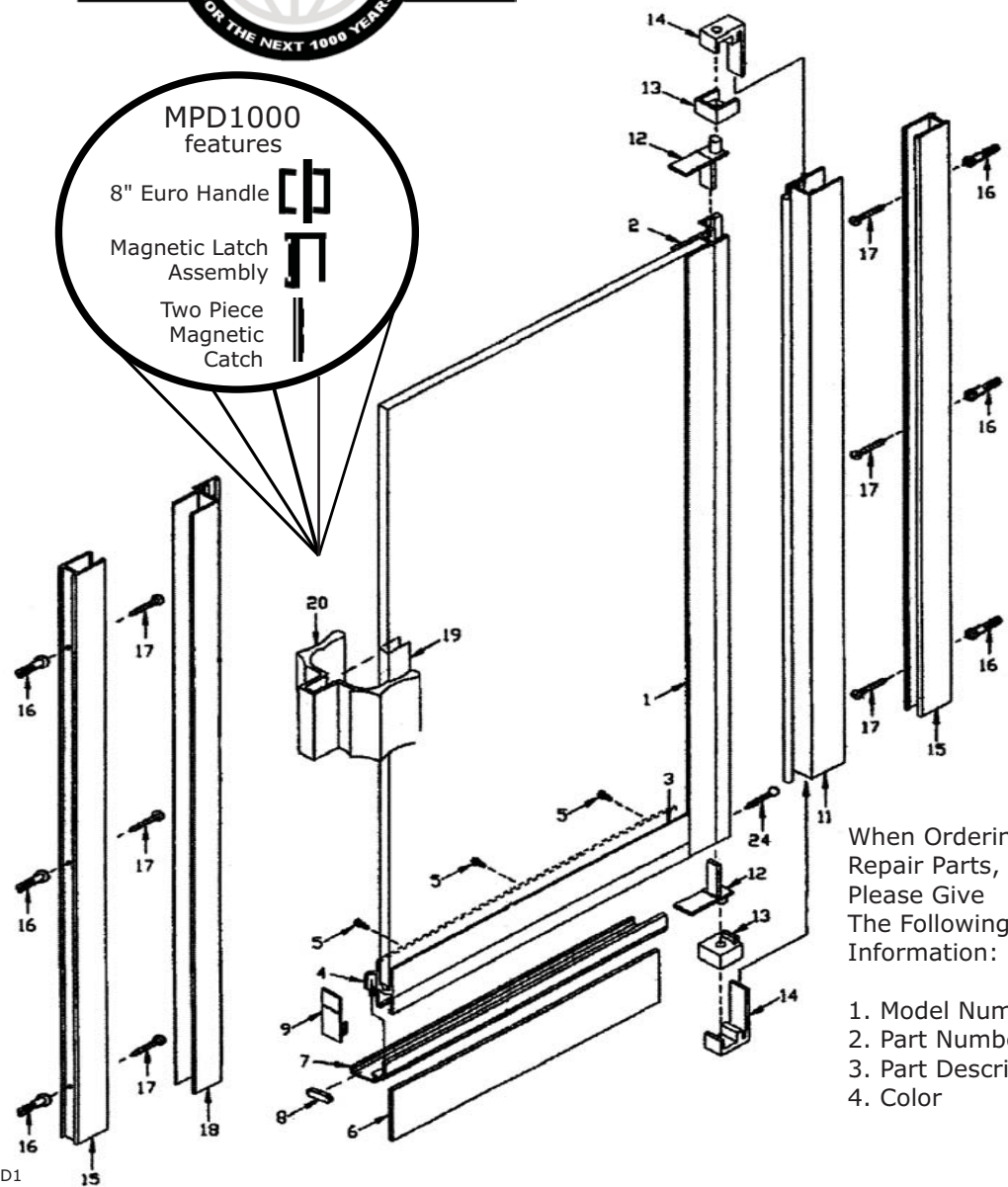
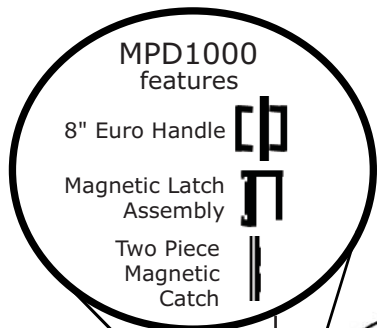




SHOWER DOOR / PREMIER
MD / MPD 1000

- For assembly you will need:
1. Phillips Screwdriver
 2. Hammer
 3. Side Cutters
 4. Glazing Block
 5. Silicone
 6. Hack Saw



When Ordering Repair Parts, Please Give The Following Information:

1. Model Number
2. Part Number
3. Part Description
4. Color

Description	Qty.	Part #	Picture
1. Glazing Vinyl	1	MV-525-C	
2. Hinge Rail with Vinyl	1	MD11503-G	
3. Glazing Vinyl	1	MV-502	
4. Bottom Rail	1	MD11502	
5. #6 x 1/4" SMS B Screws	3	MBG614-SM	
6. Splash Vinyl	1	MV-524-D	
7. Drip Trough	1	MD11508-A	
8. Drip Plug	1	MV-905	
9. Bottom Rail End Cap	1	MV-534	
10. Hinge Jamb Sleeve	1	MV-522- C	
11. Hinge Jamb	1	MD11505	
12. Hinge Pins	2	MV-531-A	
13. Hinge Bushings	2	MD11013	
14. Hinge Clips	2	MD11009	
15. Wall Channels	2	MD11006	
16. Wall Anchors	6	ANCHOR	
17. #8 x 1/2 SMS Screws	6	MBG812-SMA	
18. Latch Jamb w/ V-520 Vinyl	1	MD1504-F	
19. 3" Handle Vinyl	1	MV-525-C	
20. 3" Door Pull w/Magnetic Catch	1	MD11039-N	
21. #6 x 3/8" SMS Screws	6	MBG638-SM	
22. #8 x 1 1/2" FH SMS Screw	1	MBG8112-FH	

Assembly and Installation Instructions

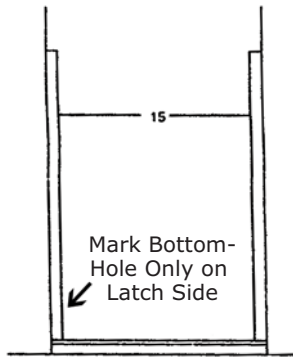


Figure 1

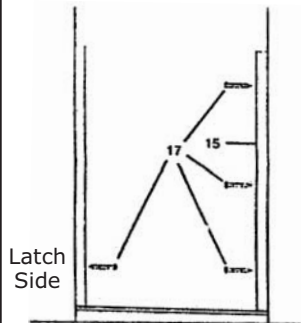


Figure 2

6. Align latch jamb (18) with edge of door glass and mark wall channel (15) location on wall. Remove latch jamb and mark holes on wall. Lean wall channel to one side to allow enough room for drill and drill the remaining two holes on wall. Insert wall anchors (18).

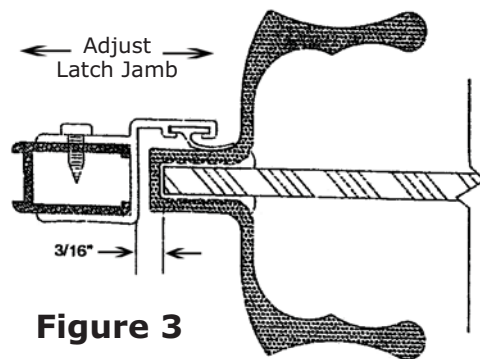


Figure 3

General: Wall channels (15) are supplied 67 3/4" long. For door only installation (with no header or curb), cut with a hacksaw to 66 5/8" so they will not extend above the hinge and latch jambs.

1. Hold wall channels (15) in a plumb position and mark hole locations on the hinge side and bottom hole only on the latch side (See Figure 1). Drill holes in wall (using 3/16" carbide drill for tile walls). Insert wall anchors (16) into drilled holes.

2. Set wall channels in place and secure with #8 x 1 1/2" screws (17) using bottom screw only on latch side (See Figure 2).

Note: Door is adjustable up to 1" (1/2" at hinge jamb and 1/2" at latch jamb).

Example: A MD-1000-24 door will fit an opening 24" to 25". The 1/2" adjustment should also be used to correct out-of-plumb conditions. For openings up to 24 1/2", set hinge jamb all the way over the wall channel and adjust latch jamb to meet door. For openings over 24 1/2" adjust the hinge jamb out on wall channel to compensate for additional opening width.

3. Set latch jamb (18) in place over wall channel, but **DO NOT SECURE**.

4. Set hinge jamb with door attachment (2 & 11) in place over wall channel. Adjust laterally, plumb to fit opening. Mark three holes on wall channel through the pre-drilled holes on hinge jamb. Drill three holes with a #31 drill bit and secure with #6 x 3/8" SMS screws (21).

5. Apply 3" vinyl channel (19) to edge of glass, centered on handle side. Tap handle (20) in place over vinyl channel.

7. Replace wall channel and secure remaining two holes in wall channel using two #8 x 1 1/2" screws (17).

8. Replace latch jamb over wall channel. Close door and adjust latch jamb 3/16" from edge of glass (See Figure 3). Through the holes provided in the latch jamb, drill three #31 holes in wall channel. Secure latch jamb to wall with #6 x 3/8" SMS screws (21).

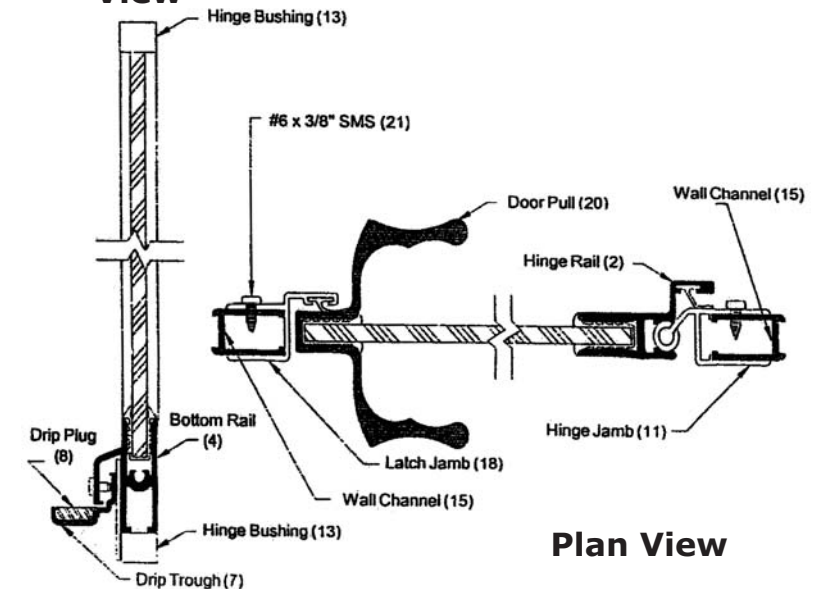
9. Set catch (22) in place on latch jamb (18) and secure with 6-32 x 3/16" screws (23).

10. Adjust drip trough (7), up at latch side of door and down at hinge side of door so water will drain into shower when door is opened. Adjust splash vinyl (6) to within 1/8" of curb.

Note: Splash vinyl should not touch curb.

11. Clean area to where sealant is to be applied and run a bead of sealant full length inside and outside each wall channel, where channel meets wall. Allow sealant to cure for 24 hours.

Elevation View



Plan View

For the next thousand years.